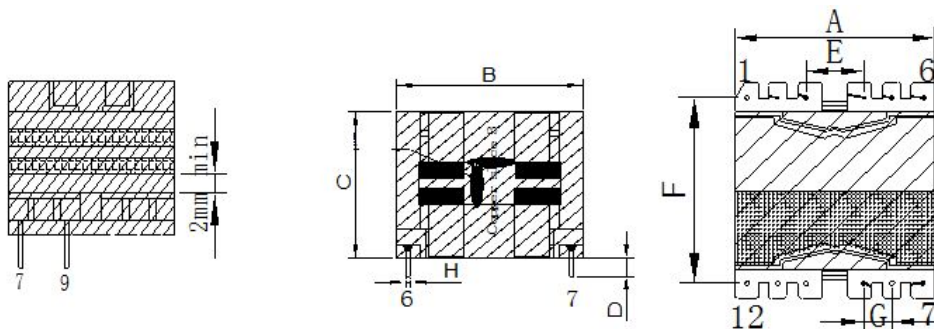


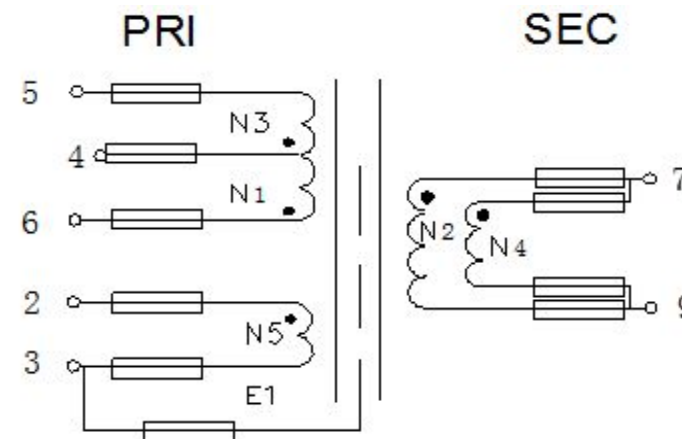
CUSTOMER TERMINAL	ROHS	Lead(Pb)-free
	YES	YES

## 1. Mechanical Dimensions



<b>A</b>	29.5	MAX
<b>B</b>	30.5	MAX
<b>C</b>	23.5	MAX
<b>D</b>	3.0	±0.5
<b>E</b>	7.6	±0.3
<b>F</b>	25.4	±0.4
<b>G</b>	3.8	±0.3
<b>H</b>	0.60	±0.1

## 2. Schematic Diagram



## 3. Material List

Core:FW95 PQ2620

Bobbin:FWB2601(6+6PIN)

Wire:2UEW TIW

Copper foil: 0.025t\*8.0mm

Operating Temperature: -30 to115 °C

## 4. Electrical Specification

Inductance: L(6-5):430uH±5% 70KHZ 、 1V

Leakage Inductance: 2.55uH MAX 70KHZ 、 1V

DCR:(5-6)=0.302ΩMAX (7-9)=70.7mΩMAX

Hi-Pot:P-S: AC 60Hz 4000V 1.0mA 3S

P-CORE: AC 60Hz 500V 1.0mA 3S

REV.	DATE	<p>Convention Placement</p>	DRW.		Drawing Title:	Part No:
0	00/00		CHK.			
				APP.		Customer P/N

**ROHS**

[www.ferriwo.com](http://www.ferriwo.com)